

# CMP13 - Crimping Tool

For Cord End Terminals

**• Material:**

- Main body: S45C (HRC 43-47)
- Surface treatment: Electroplating
- Die material: SCM440 (HRC 41-52)
- Die surface: Black oxide
- Handles: Polypropylene

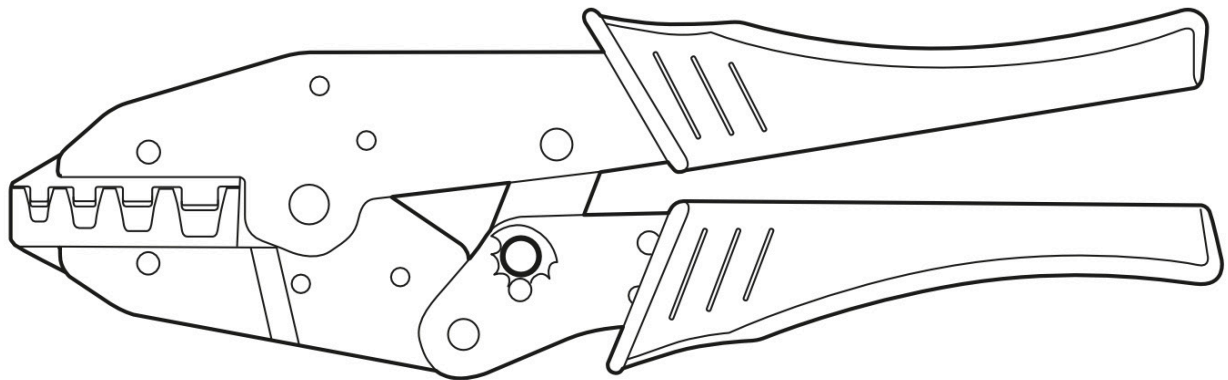
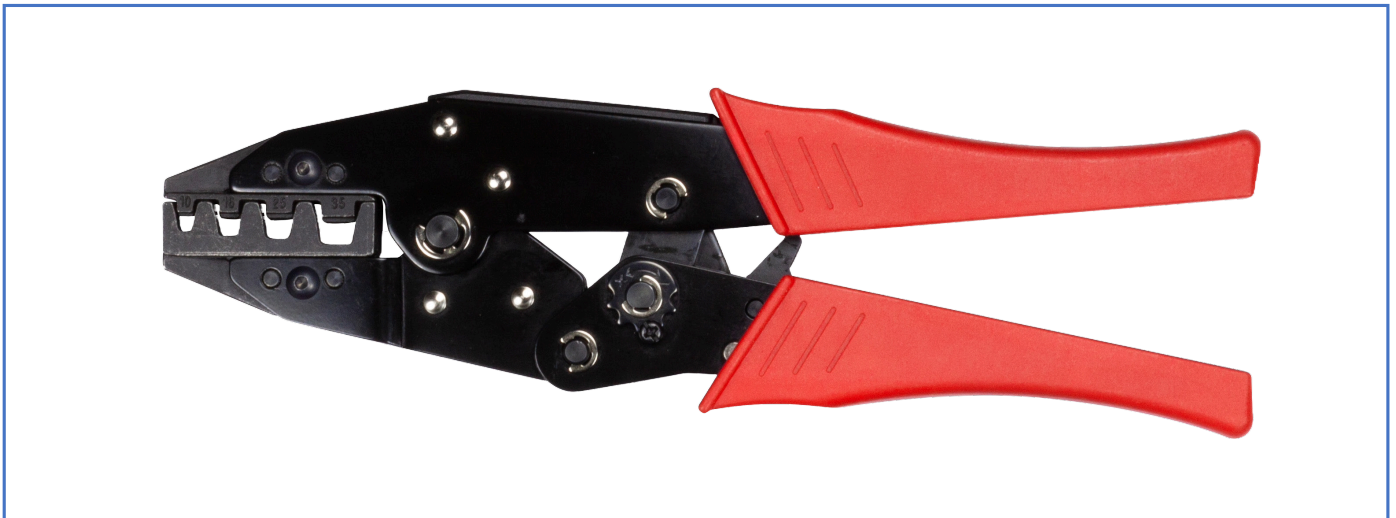


**• Colour:**

Red & Black

**• Features:**

- High strength through hardened steel
- Anti-slipping handles
- Pressure adjustable tensioner
- Replaceable jaws



| Item No. | Terminal Type | Crimping Range (mm <sup>2</sup> ) | Weight (kg) | L (mm) | Handle Colour |
|----------|---------------|-----------------------------------|-------------|--------|---------------|
| CMP13    | Cord End      | 10.0 - 35.0                       | 0.6         | 240    | Red           |